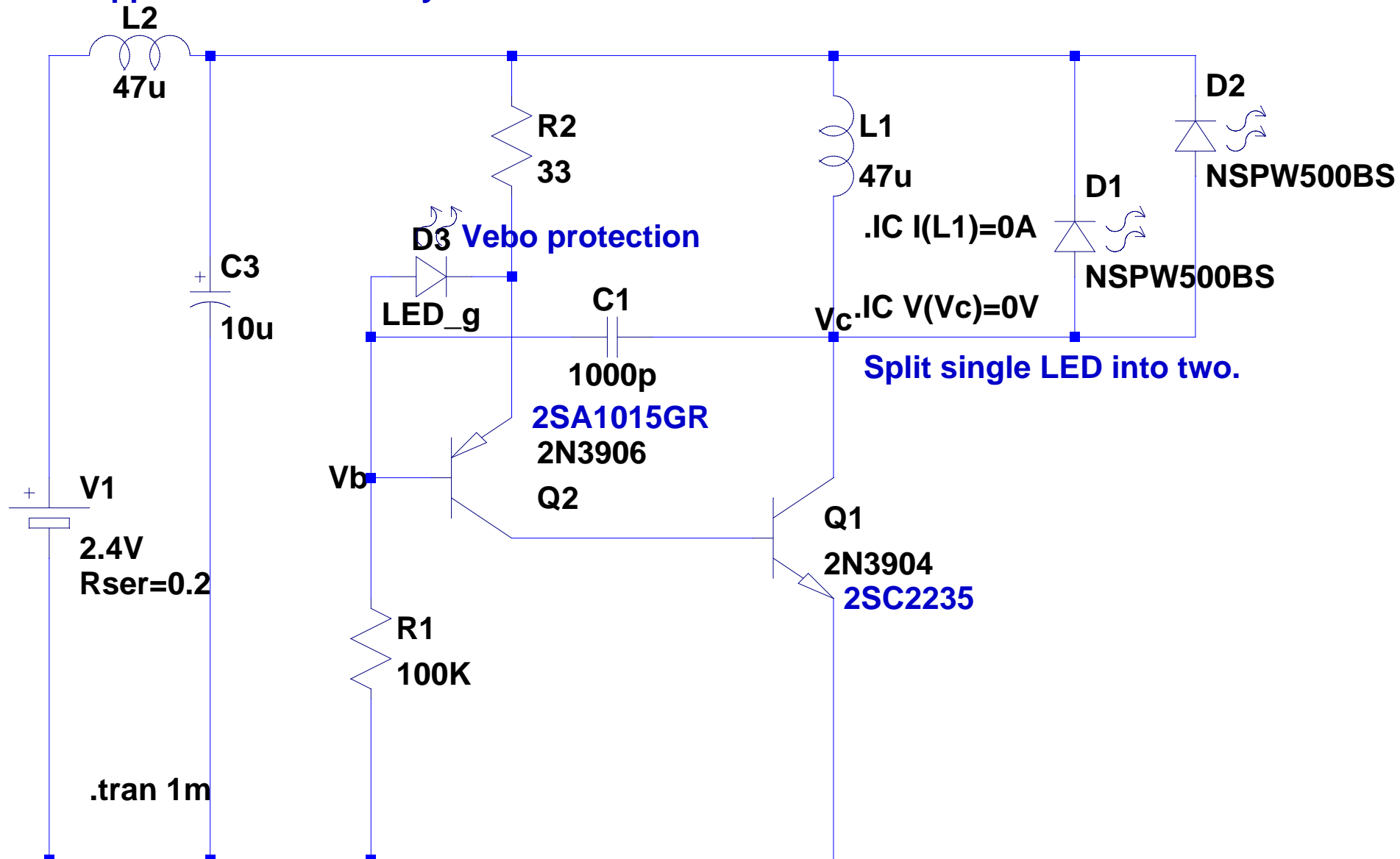


Ripple filter. The battery is shared with radio circuit.



.model LED_g D(IS=7.33e-15 N=2.645 RS=1.472 BV=15.0 IBV=0.5uA
+ CJO=19pF Vj=0.6323 M=0.322 lave=0.02 Vpk=4 type=LED mfg=standard)

model from <http://www.madlabo.com/mad/edat/spice/index.htm>